

SEATS

AND ACCESSORIES



CATALOGUE 2026.01

SEATS

Jecko Racing Seats are an avant-garde product in the kart world with regards to both the technology and the design.

Jecko designs and manufactures its seats entirely in house with 2 models:

- **FA:** this seat is designed with a dedicated leg support zone for enhanced comfort.
- **K:** is the traditional seat designed by Jecko.

Team and driver's experience allowed us to develop our seats, size and shape are improved and renovated, seats end up being more ergonomic, more elastic and of high quality.

JECKO offers 5 different seat type:

EXTREME | SOFT | STANDARD | CLOSEDGE | XLIGHT

- **EXTREME:** this is the softest and lightest line, used only in group A/B size;
- **SOFT:** the softline is produced with white fibers;
- **STANDARD:** is the best line in every atmospheric condition;
- **CLOSEDGE:** is the seat which edges's closure increases the stiffness created by our pated system;
- **XLIGHT:** is the special seat made in carbon fiber.

The peculiar shape of the seats has been achieved after an in-depth study of the ergonomics and the high level of tension/ stress originating from the modern kart driving.

RACING
THE FUTURE



SILVER EXTREME

DESCRIPTION	SIZE	TYPE	CODE
JECKO SILVER SEAT EXT A	A0		1000301A0EXT
	A1	EXT	1000301A1EXT
	A3		1000301A3EXT
JECKO SILVER SEAT EXT AW	AW0		1000300AW0EXT
	AW1	EXT	1000300AW1EXT
	AW3		1000300AW3EXT

NEW

FA MODEL

RACING THE FUTURE



WEIGHT

HARDNESS

Fiber glass

Epoxy Resin High Quality

Front Silver Exclusive Alutex Pattern

Back Black/Red Fibers

WHITE SOFT

DESCRIPTION	SIZE	TYPE	CODE
JECKO WHITE SEAT SOFT A	A0		1000201A0SFT
	A1	SFT	1000201A1SFT
	A3		1000201A3SFT
JECKO WHITE SEAT SOFT A	AW0		1000200AW0SFT
	AW1	SFT	1000200AW1SFT
	AW3		1000200AW3SFT
JECKO WHITE SEAT SOFT B	B1		1000202B1SFT
	B3	SFT	1000202B3SFT
	B3.34		1000202B3.34SFT
JECKO WHITE SEAT SOFT BH	BH3		1000203BH3SFT
	BH5	SFT	1000203BH5SFT
	BH3.34		1000203BH3.34SFT
	BH5.34		1000203BH5.34SFT
JECKO WHITE SEAT SOFT C	C5		1000204C5SFT
	C7	SFT	1000204C7SFT
JECKO WHITE SEAT SOFT D	D5		1000205D5SFT
	D7	SFT	1000205D7SFT

NEW

NEW

NEW



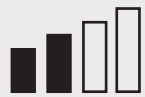
RACING
THE FUTURE

FA MODEL

WEIGHT



HARDNESS



Fiber glass



Epoxy Resin
High Quality



Front
White Fiber



Back
White Fiber

SILVER STANDARD

DESCRIPTION	SIZE	TYPE	CODE
JECKO SILVER SEAT STANDARD A	A0		1000401A0STD
	A1	STD	1000401A1STD
	A3		1000401A3STD
JECKO SILVER SEAT STANDARD A	AW0		1000400AW0STD
	AW1	STD	1000400AW1STD
	AW3		1000400AW3STD
JECKO SILVER SEAT STANDARD B	B1		1000402B1STD
	B3	STD	1000402B3STD
	B3.34		1000402B3.34STD
JECKO SILVER SEAT STANDARD BH	BH3		1000403BH3STD
	BH5	STD	1000403BH5STD
	BH3.34		1000403BH3.34STD
	BH5.34		1000403BH5.34STD
JECKO SILVER SEAT STANDARD C	C5		1000404C5STD
	C7	STD	1000404C7STD
JECKO SILVER SEAT STANDARD D	D5		1000405D5STD
	D7	STD	1000405D7STD

NEW

NEW

NEW



RACING THE FUTURE

FA MODEL

WEIGHT

HARDNESS

Fiber glass

Epoxy Resin High Quality

Front Silver Exclusive Alutex Pattern

Back Silver Exclusive Alutex Pattern

SILVER CLOSEEDGE

DESCRIPTION	SIZE	TYPE	CODE
JECKO SILVER SEAT CLOSEEDGE A	A0		1000501A0CLS
	A1	CLS	1000501A1CLS
	A3		1000501A3CLS
JECKO SILVER SEAT CLOSEEDGE A	AW0		1000500AW0CLS
	AW1	CLS	1000500AW1CLS
	AW3		1000500AW3CLS
JECKO SILVER SEAT CLOSEEDGE B	B1		1000502B1CLS
	B3	CLS	1000502B3CLS
	B3.34		1000502B3.34CLS
JECKO SILVER SEAT CLOSEEDGE BH	BH3		1000503BH3CLS
	BH5	CLS	1000503BH5CLS
	BH3.34		1000503BH3.34CLS
	BH5.34		1000503BH5.34CLS
JECKO SILVER SEAT CLOSEEDGE C	C5	CLS	1000504C5CLS
	C7		1000504C7CLS
JECKO SILVER SEAT CLOSEEDGE D	D5	CLS	1000505D5CLS
	D7		1000505D7CLS

NEW

NEW

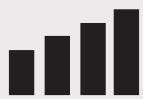
NEW



WEIGHT



HARDNESS



Fiber glass



Epoxy Resin
High Quality



Front Silver
Exclusive
Alutex Pattern



Back Silver
Exclusive
Alutex Pattern

XLIGHT STANDARD

DESCRIPTION	SIZE	TYPE	CODE
JECKO XLIGHT SEAT STANDARD A	A0	STD	1000101A0STD
	A1		1000101A1STD
	A3		1000101A3STD
JECKO XLIGHT SEAT STANDARD A	AW0	STD	1000100AW0STD
	AW1		1000100AW1STD
	AW3		1000100AW3STD
JECKO XLIGHT SEAT STANDARD B	B1	STD	1000102B1STD
	B3		1000102B3STD
	B3.34		1000102B3.34STD
JECKO XLIGHT SEAT STANDARD BH	BH3	STD	1000103BH3STD
	BH5		1000103BH5STD
	BH3.34		1000103BH3.34STD
	BH5.34		1000103BH5.34STD
JECKO XLIGHT SEAT STANDARD C	C5	STD	1000104C5STD
	C7		1000104C7STD
JECKO XLIGHT SEAT STANDARD D	D5	STD	1000105D5STD
	D7		1000105D7STD

NEW

NEW

NEW

WEIGHT



HARDNESS



Carbon fiber



Epoxy Resin
High Quality



Front Carbon



Back Carbon



FA MODEL

RACING
THE FUTURE

WHITE SOFT

DESCRIPTION	SIZE	TYPE	CODE
JECKO WHITE SEAT SOFT C-K	C3		1110204C3SFT
	C5	SFT	1110204C5SFT
	C7		1110204C7SFT
JECKO WHITE SEAT SOFT D-K	D5	SFT	1110205D5SFT
	D7		1110205D7SFT

RACING THE FUTURE

K MODEL



Fiber glass

Epoxy Resin
High Quality

Front
White Fiber

Back
White Fiber

SILVER STANDARD

DESCRIPTION	SIZE	TYPE	CODE
JECKO SILVER SEAT STANDARD C-K	C3		1110404C3STD
	C5	STD	1110404C5STD
	C7		1110404C7STD
JECKO SILVER SEAT STANDARD D-K	D5	STD	1110405D5STD
	D7		1110405D7STD



WEIGHT

HARDNESS

Fiber glass

**Epoxy Resin
High Quality**

**Front Silver
Exclusive
Alutex Pattern**

**Back Silver
Exclusive
Alutex Pattern**

XLIGHT STANDARD

DESCRIPTION	SIZE	TYPE	CODE
JECKO XLIGHT SEAT STANDARD C-K	C3		1110104C3STD
	C5	STD	1110104C5STD
	C7		1110104C7STD
JECKO XLIGHT SEAT STANDARD D-K	D5		1110105D5STD
	D7	STD	1110105D7STD

RACING
THE FUTURE

K MODEL



Carbon fiber

Epoxy Resin
High Quality

Front Carbon

Back Carbon

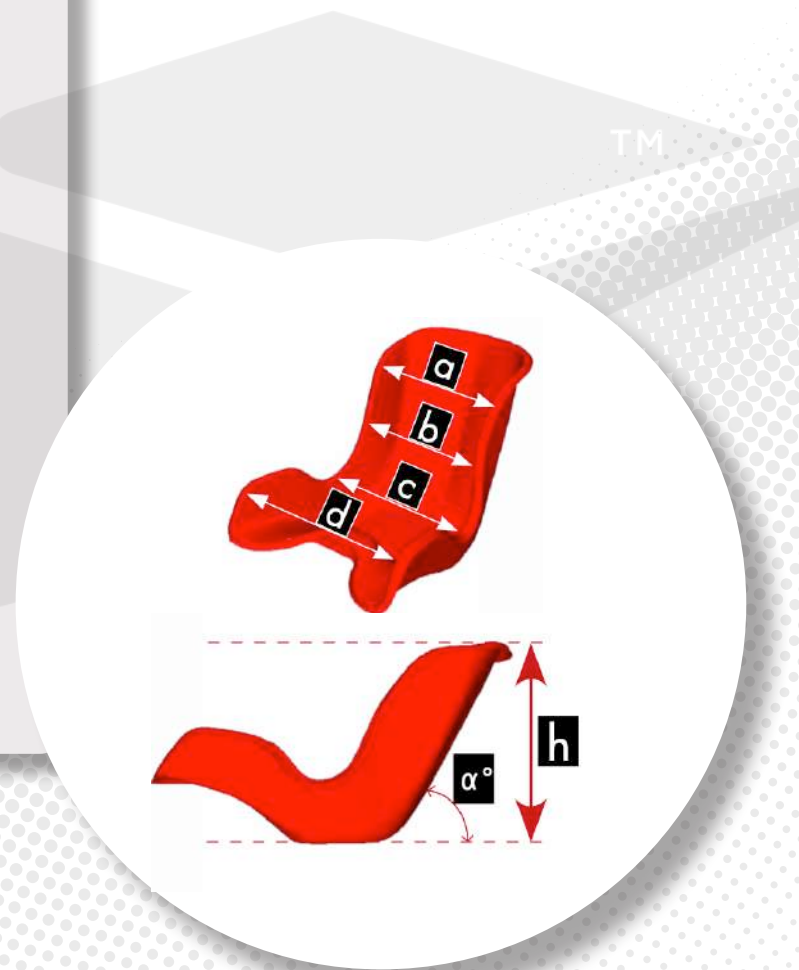
TECHNICAL

RACING
THE FUTURE

NA = not available

FA MODEL

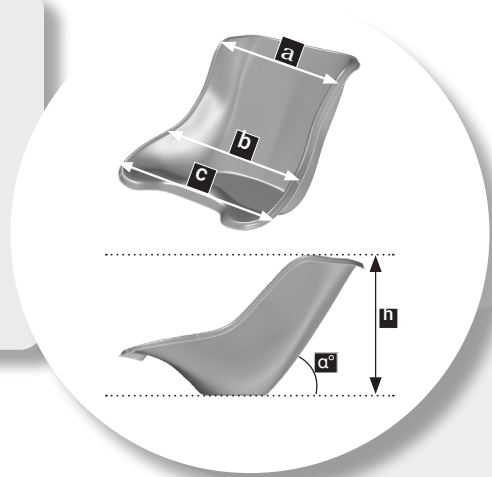
SIZE	DIMENSION (cm)					α°			WEIGHT (gr)				
	a	b	c	d	h	30°	32°	34°	SILVER STD	SILVER EXT	SILVER CLS	WHITE SFT	XLIGHT STD
AW0	23,7	22,8	27,8	31,6	24,0	✓			910	903	990	900	NA
AW1	26,8	25,5	29,6	33,3	26,3	✓			1050	970	1113	1013	630
AW3	28,5	26,8	30,7	33,7	27,5	✓			1130	1063	1160	1040	650
A0	24,2	23,1	28,1	32,0	29,0	✓			950	930	1060	1010	600
A1	26,3	25,0	30,0	33,5	30,0	✓			1050	1040	1150	1060	650
A3	28,0	26,5	31,0	34,0	30,7	✓			1150	1170	1230	1097	700
B1	28,3	26,7	31,2	37,4	31,0	✓			1240		1220	1198	840
B3	28,9	27,5	31,6	37,8	31,3	✓			1303		1460	1380	900
B3.34	29,1	27,1	31,2	37,5	31,3			✓	1313		1410	1250	900
BH3	31,0	28,9	33,3	39,4	31,5	✓			1550		1600	1433	890
BH5	32,2	30,1	34,0	40,7	32,0	✓			1547		1670	1412	1310
BH3.34	30,8	28,4	32,7	39,8	31,5			✓	1517		1540	1370	1250
BH5.34	32,0	30,1	33,8	40,8	32,0			✓	1530		1620	1413	1310
C5	32,9	31,0	35,0	41,3	32,5	✓			1843		1820	1483	1350
C7	34,6	32,5	36,5	42,0	33,0	✓			1880		2060	1504	1400
D5	36,0	33,7	37,4	42,9	34,0		✓		1930		2147	1726	1450
D7	37,5	34,9	39,2	43,9	34,0		✓		2120		2380	1710	1500



K MODEL

SIZE	DIMENSION (cm)				α°	WEIGHT (gr)		
	a	b	c	h		SILVER STD	WHITE SFT	XLIGHT STD
C3	32,8	33,2	38,2	32,5	✓	1387	1341	970
C5	34,3	34,5	40,0	32,5	✓	1503	1449	1001
C7	35,9	36,2	41,5	32,5	✓	1553	1370	1030
D5	38,0	38,1	43,4	32,5	✓	1580	1507	1070
D7	40,5	40,8	45,6	32,5	✓	1537	1523	1090

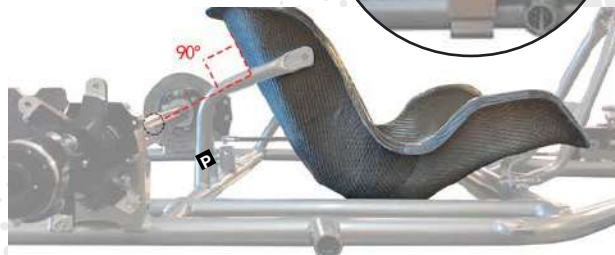
NA = not available



TM

MINI

Category	Distance "P"
Mini	13 cm



Height: Bottom of the seat, level with the bottom of the chassis

JUNIOR | SENIOR | SHIFTER

Category	Distance "P"	MODEL K	MODEL FA
Junior	14-15 cm		✓
Senior	13 cm	✓	✓
Shifter	11.5-12 cm	✓	✓



Height: Bottom of the seat, level with the bottom of the chassis



WATCH
THE SEAT
ASSEMBLY
VIDEO



FLOORTRAYS

Floortray is a fundamental part of a kart as it can be compared to all intents and purpose with a single-seated car's one.

It occupies a high percentage of framework area, affecting its rigidity and consequently its performance.

To satisfy those requirements, JECKO has devised a floortray that's very soft and light thanks to combination of its aesthetics and the use of high quality raw materials.

Factory can personalize their floortrays with their own logo.



JECKO FLOORTRAY CAR/KEV

SIZE	CODE	TYPE
MINI	513101	CAR-KK
BIG	513111	CAR-KK

RACING
THE FUTURE

SPROCKET PROTECTOR

Jecko Sprocket Protector stands out for its unique aesthetic but also for its robustness, flexibility and lightness. It's offered in Silver with 180, 190, 200, 210 and 220 mm of diameter. In 2023 a New Sprocket Spacer is introduced: it's made in allutex fiber and carbon which is the lightest version.

Jecko Sprocket Spacer is made of aluminium and it's 6 mm tight, it's available individually or in kit.

Jecko sprocket Kit consists of: 2 Sprocket Protectors 180, 190, 200, 210 or 220 and 1 Sprocket spacer. You can choose the colors that best suits on your kart.

RACING
THE FUTURE



SPROCKET CARBON SMC

RACING
THE FUTURE



SPROCKET PROTECTOR SMC

SIZE	COLOR	CODE	WEIGHT (GR)
180 Ø	CAR SMC	900355180SMC	60
190 Ø	CAR SMC	900355190SMC	68
200 Ø	CAR SMC	900355200SMC	75
210 Ø	CAR SMC	900355210SMC	80
220 Ø	CAR SMC	900355220SMC	90



SPROCKET SPACER POLY

SIZE	COLOR	CODE
1	POLY	90031111POL



KIT SPROCKET PROTECTOR SMC

SIZE	COLOR	CODE
180 Ø	CAR SMC	900350180SMC
190 Ø	CAR SMC	900350190SMC
200 Ø	CAR SMC	900350200SMC
210 Ø	CAR SMC	900350210SMC
220 Ø	CAR SMC	900350220SMC

SPROCKET SILVER

RACING
THE FUTURE



SPROCKET PROTECTOR SILVER

SIZE	COLOR	CODE	WEIGHT (GR)
180 Ø	SILVER	900300180SIL	93
190 Ø	SILVER	900300190SIL	104
200 Ø	SILVER	900300200SIL	115
210 Ø	SILVER	900300210SIL	125
220 Ø	SILVER	900300220SIL	135



SPROCKET SPACER ERGAL

SIZE	COLOR	CODE
1	BLACK	9003101BLK



KIT SPROCKET PROTECTOR SILVER

SIZE	COLOR	CODE
180 Ø	SILVER	900320180SIL
190 Ø	SILVER	900320190SIL
200 Ø	SILVER	900320200SIL
210 Ø	SILVER	900320210SIL
220 Ø	SILVER	900320220SIL

SEAT ACCESSORIES

RACING
THE FUTURE

JECKO has lavished great dedication and technology on the creation of components and accessories for the seats

with high technology materials as ergal and carbon to increase driver comfort during the races.



CARBON WASHER

DIMENSION	PIECES	CODE
M8 - 38MM	3	70010038
M8 - 53MM	2	70010053
M8 - 38/66MM	2	70020066



ERGAL WASHER

DIMENSION	PIECES	CODE
M8-38MMB	6	40030000



SCREW ULTRA THIN

DIMENSION	PIECES	CODE
M8 - 20MM	3	40020020
M8 - 25MM	3	40020025
M8 - 30MM	3	40020030
M8 - 40MM	2	40020040
M8 - 50MM	2	40020050
M8 - 60MM	2	40020060
M8 - 70MM	2	40020070
M8 - 80MM	2	40020080



SPACER

DIMENSION	PIECES	CODE
M8 - 30MM	2	60010030
M8 - 40MM	2	60010040
M8 - 50MM	2	60010050
M8 - 60MM	2	60010060



AQUA

DESCRIPTION	PIECES	CODE
AQUA	1	30010001
REPLACEMENT AQUA	2	30010002

JPAD WITH VELCRO SUPPORTS

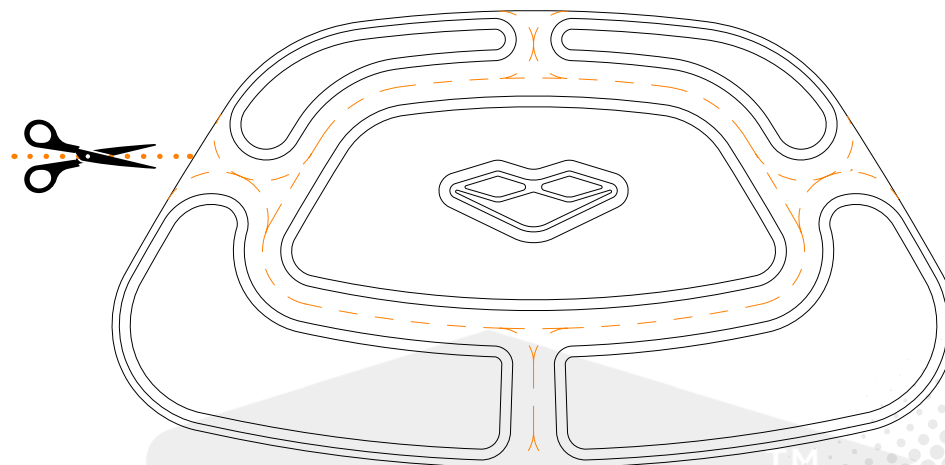
NEW

RACING
THE FUTURE

Jecko has developed the new JPAD which is a thermoformed pad with a thickness of 12mm with a sponge of polyethylene and covered in lycra.

The deep grooves allow it to be cut by studied shapes and therefore adapted it to your needs.

The velcro support gives the user the possibility to reposition it according to your needs.



SOME EXAMPLES



JPAD

COLOR

CODE

BLACK

8001100



SEATS AND ACCESSORIES

VIA MAESTRI DEL LAVORO, 24
33080 FIUME VENETO (PN) ITALIA

info@jeckoracing.com

**RACING
THE FUTURE**